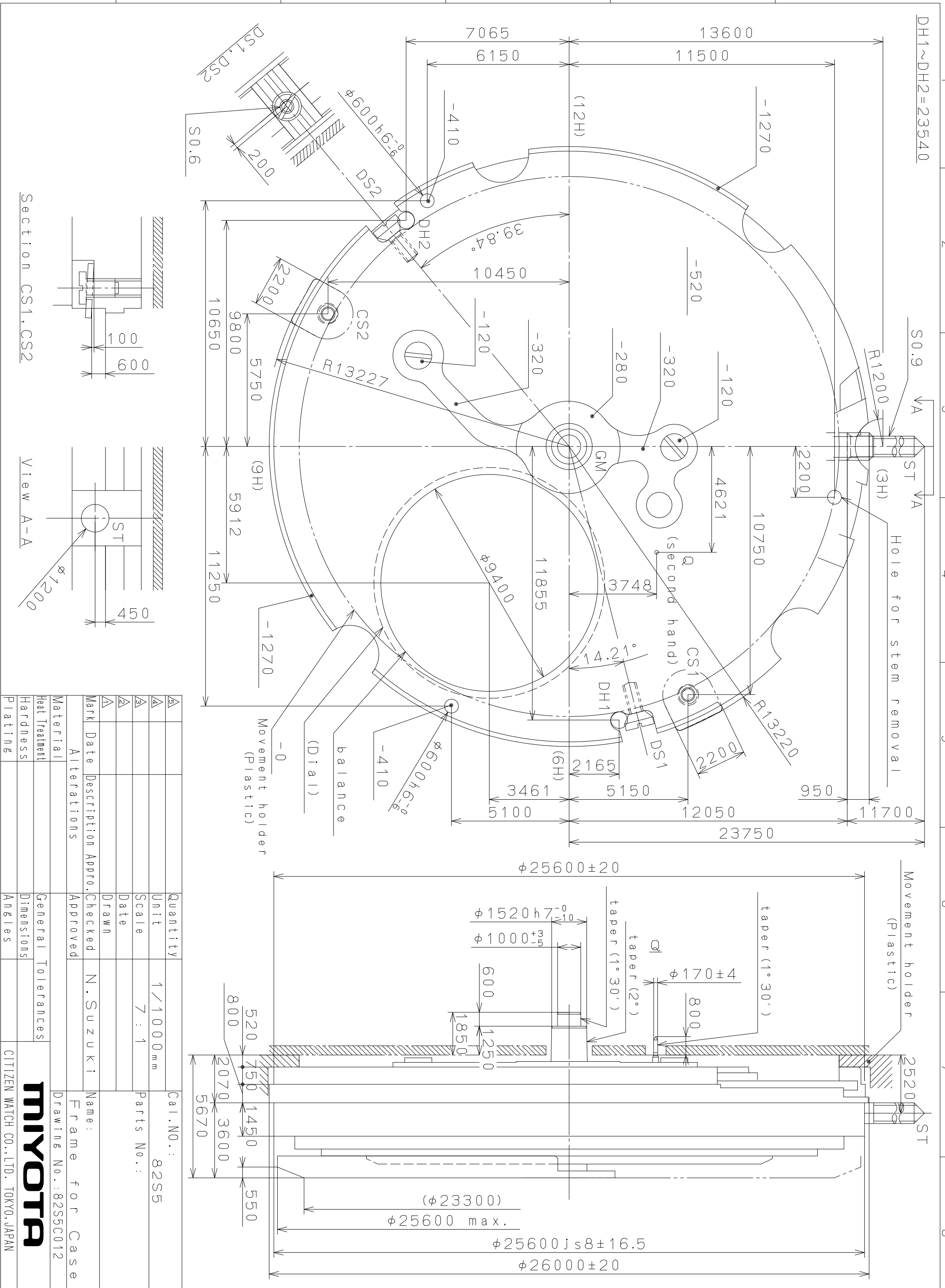


This drawing is provisional and subject to our reconfirmation and/or revision without notice.



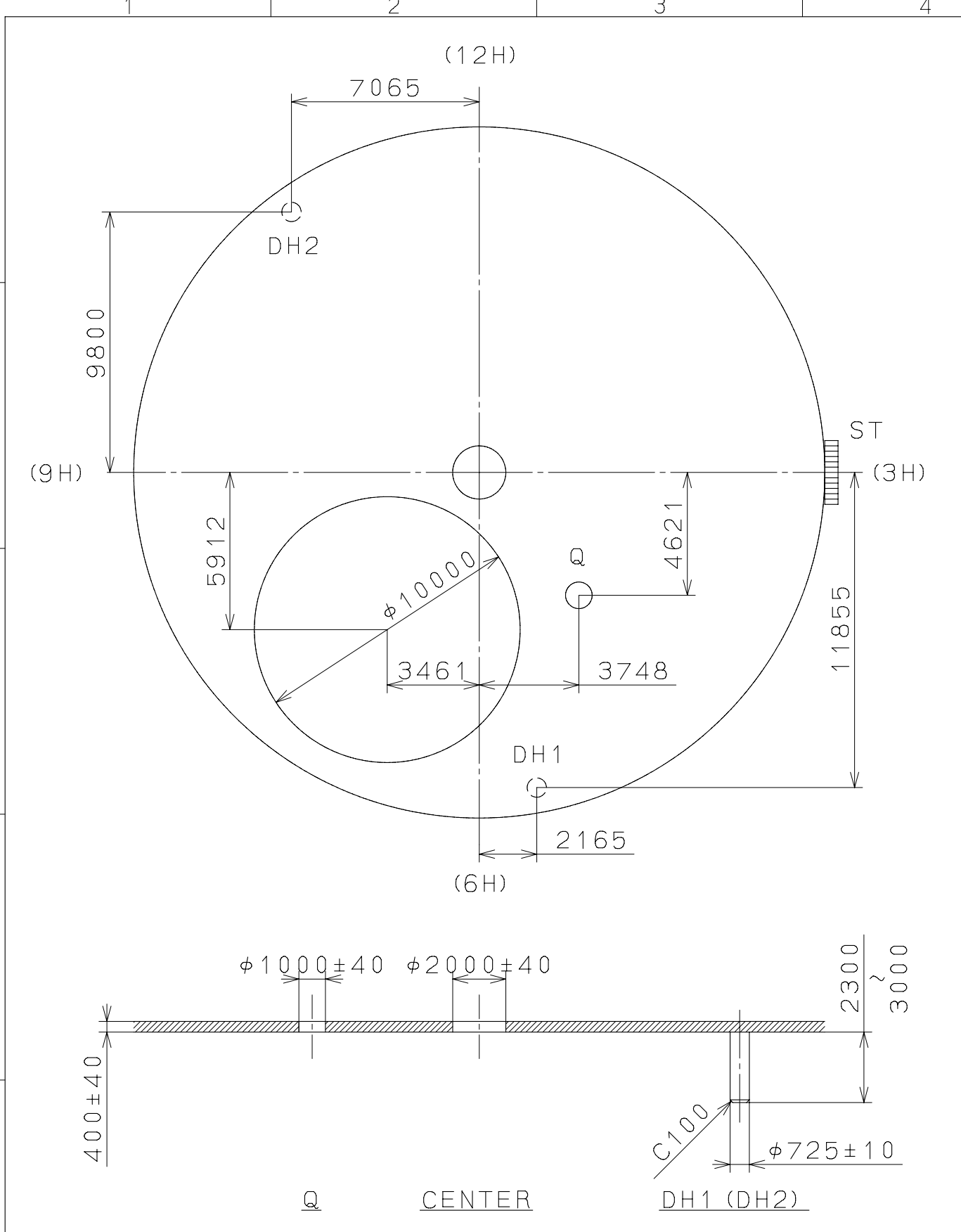
Section CS1, CS2

View A-A

Material	Alterations	Mark	Date	Quantity	Unit	Cal. NO.:
Heat Treatment	Description	Date	Checked	1/1000	mm	82SS5
Hardness	Apporo.	Drawn	N. Suzuki	7 : 1		Parts No.:
Plating	Approved					Frame for Case
						Drawing No.: 82SS5C012
						MIYOTA
						CITIZEN WATCH CO., LTD. TOKYO, JAPAN

2008/05/13 (14:07:18)

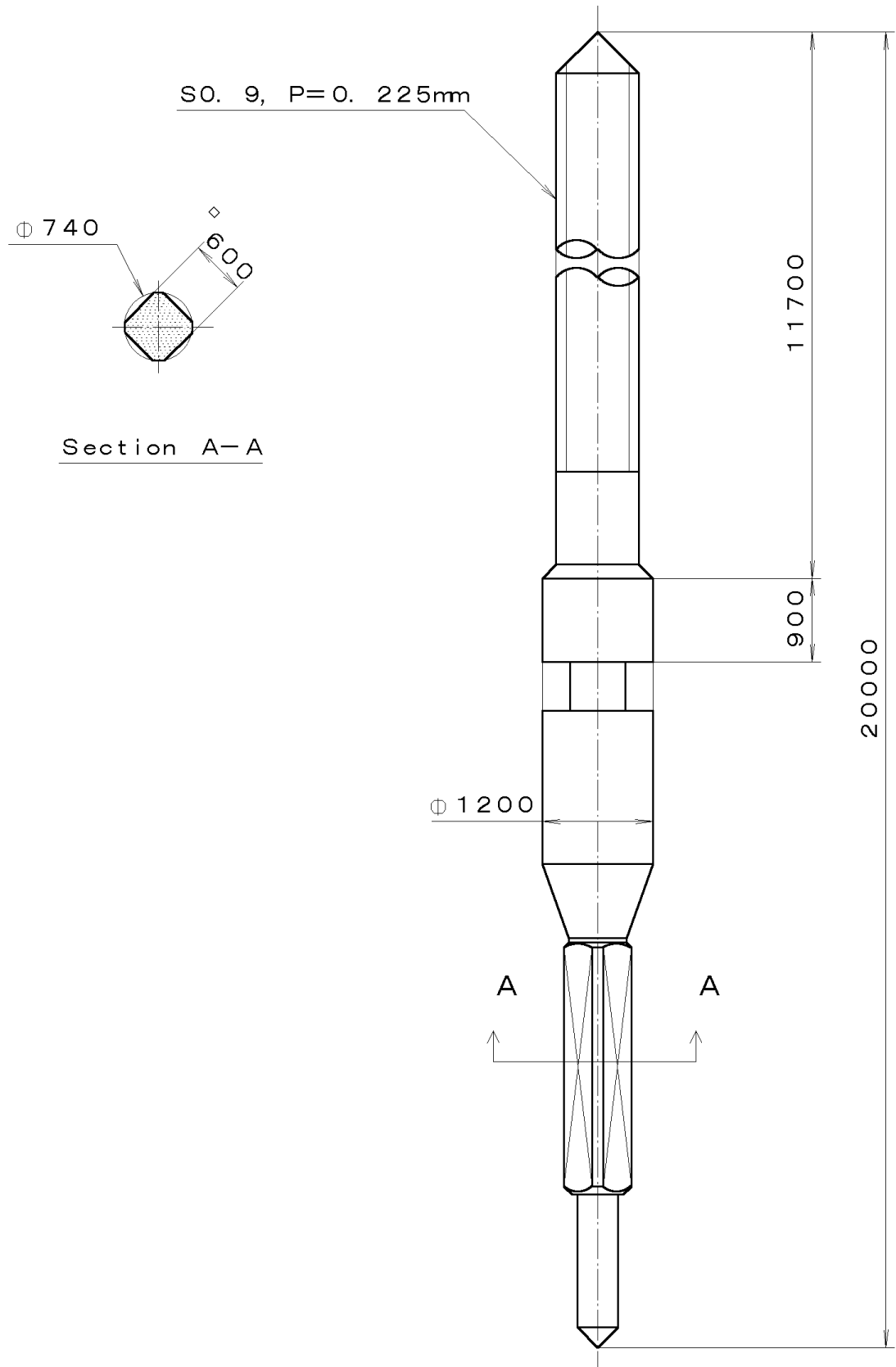
This drawing is provisional and subject to our reconfirmation and/or revision without notice.



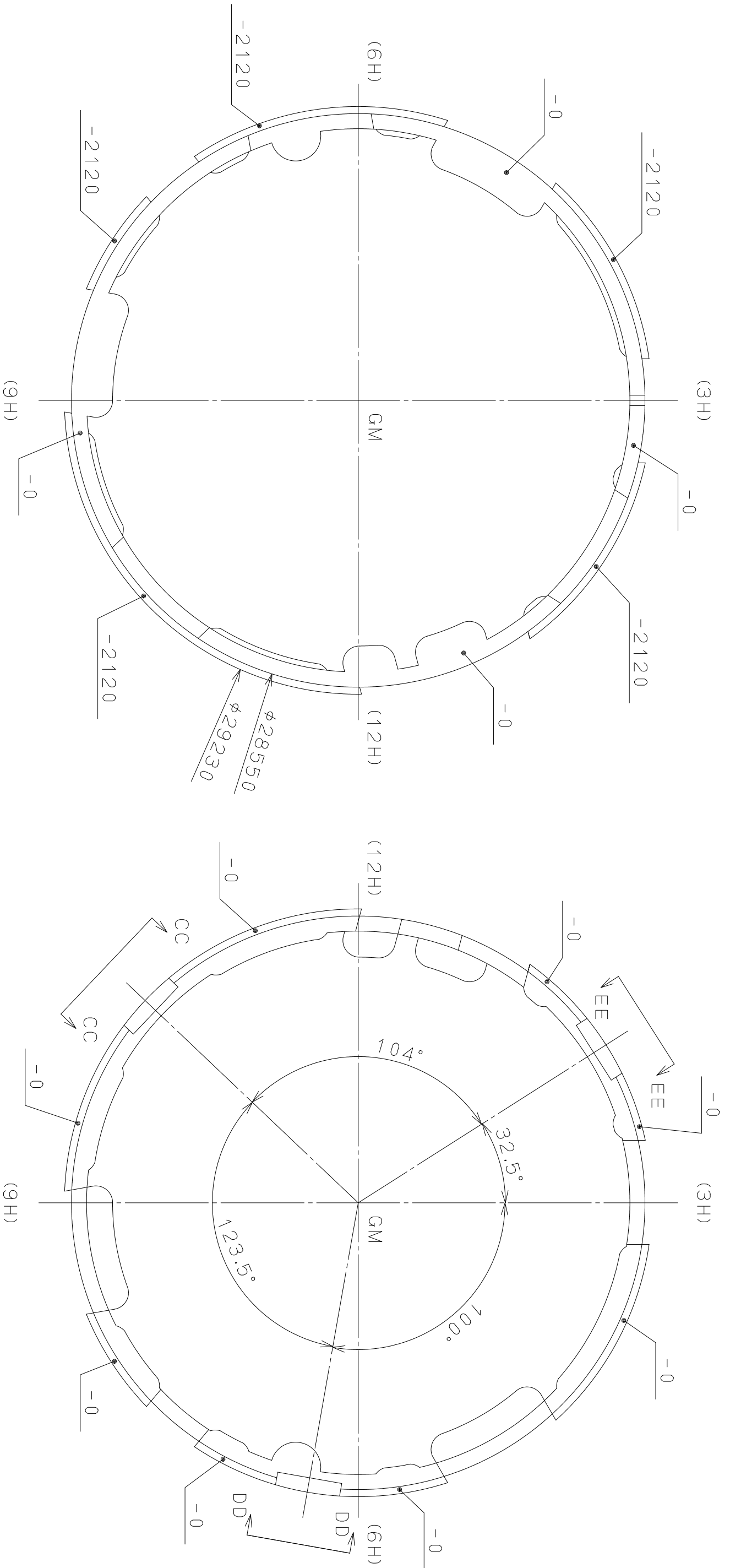
△			Quantity		Cal.NO.:
△			Unit	1/1000 _{mm}	82S5-21A
△			Scale	5:1	Parts No.:
△			Date		
△			Drawn		
Mark	Date	Description	Appr.	Checked	Name:
		Alterations	Approved	N. Suzuki	Indications for Dial
Material					Drawing No.: 82S5D000
Heat Treatment			General Tolerances	MIYOTA CITIZEN WATCH CO., LTD. TOKYO, JAPAN	
Hardness			Dimensions		
Plating			Angles		

This drawing is provisional and subject to our reconfirmation and/or revision without notice.

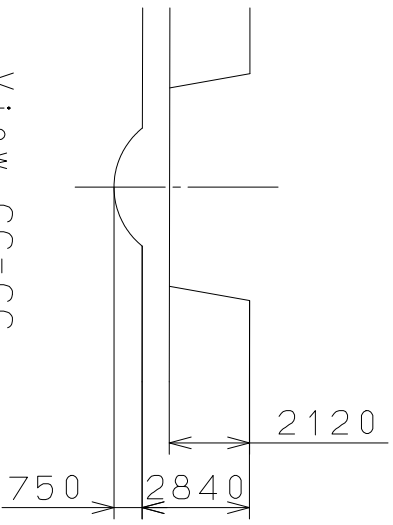
*** T I P W (01) *** (2100 1121) 00-09-18



7			Quantity		Cal. No. :
6			Unit	1/1000 mm	
5			Scale	15:1	Parts:
4			Date		065-212
3			Drawn		
2			Checked	T. Hiruta	Name:
1			Approved		SETTING STEM
Material					Drawing No. : 2120S000
Heat Treatment			General Tolerances		CITIZEN WATCH CO.,LTD. TOKYO, JAPAN
Hardness			Dimensions		
Plating			Angles		



View CC-CC
DD-DD, EE-EE



△5	Quantity	Cal. NO.:
△4	Unit	1/1000 mm
△3	Scale	5 : 1
△2	Date	Parts No.:
△1	Drawn	500-710
Mark	Date	Name:
	Description	Casing Holder
Alterations	Checked	N. Suzuki
	Approved	
Material		Drawing No.: 8200E002
Heat Treatment		
Hardness	General Tolerances	
Plating	Dimensions	
	Angles	
		MIYOTA
		CITIZEN WATCH CO., LTD. TOKYO, JAPAN